

NORTHERN TERRITORY OF AUSTRALIA

MOTOR VEHICLES (STANDARDS) REGULATIONS

As in force at 1 May 2003

Table of provisions

Part 1	Preliminary	
1	Citation	1
2	Commencement	1
3	Application	1
4	Interpretation	1
Part 2	Motor vehicles standards	
Division 1	Mass limits of vehicles	
5	Mass limit for wheel	5
6	Mass limit for tyre	5
7	Mass limit for axle or axle group	5
8	Road friendly suspension	6
9	Ultra low floor 2 axle route bus	6
10	Bus with road friendly suspension	6
11	Retractable axle	6
Division 2	Limits to laden mass	
12	Laden mass of vehicle or vehicle combination	7
13	Laden mass of consecutive axle groups	7
14	Laden mass of trailer	7
Division 3	Certain special vehicles	
15	Vehicle fitted with non-rubber tyres or solid rubber tyres	8
16	Vehicle fitted with all or some rubber tyres	9
17	Tyres filled with water	10
Division 4	Axle group spacing for B-Double	
18	Axle group spacing requirements for B-Double	10
Division 5	Size and projection of load	
19	Front and side projections	11
20	Rear projections	11
21	Dangerous projections	11
22	Projection of load on motor cycle	12
23	Size limits	12

Division 6	Requirements for converter dollies	
24	Converter dollies used in road trains	13
Division 7	Identification of road trains	
25	Identification of hauling unit of road train	13
26	Identification of trailers used in road train	14
Part 3	Australian Vehicle Standard Rules	
Division 1	Australian Vehicle Standards Rules	
27	Australian Vehicle Standards Rules are law of the Territory	14
Division 2	Exemptions from certain rules	
28	Exemption from right-hand drive requirement.....	14
29	Exemption from spray suppression requirement for B-double	15
30	Exemption from pneumatic tyre requirement for certain vehicles.....	15
31	Exemption from ABS brakes for road trains.....	15
32	Exemption from speed-limiting requirement for road train	15
33	Exemption in relation to vehicle carriers	15
Division 3	Additional requirements in relation to certain rules	
34	Rear marking plates	16
Part 4	Offences	
35	Compliance with Regulations	18
36	Regulatory offences.....	18
37	Defence if excess loading within certain limits.....	18
Part 5	Miscellaneous	
38	Certificate in relation to manufacturer's gross axle load limit etc.....	19
39	Repeal	20
40	Repealed Regulations continue to apply	20
Schedule 1		
Schedule 2		
Schedule 3		

Schedule 4

Schedule 5

Schedule 6

ENDNOTES

NORTHERN TERRITORY OF AUSTRALIA

As in force at 1 May 2003

MOTOR VEHICLES (STANDARDS) REGULATIONS

Regulations under the *Motor Vehicles Act*

Part 1 Preliminary

1 Citation

These Regulations may be cited as the *Motor Vehicles (Standards) Regulations*.

2 Commencement

These Regulations come into operation on the date fixed by the Minister by notice in the *Gazette*.

3 Application

These Regulations do not apply to a nonconforming vehicle within the meaning of Part VA of the Act.

4 Interpretation

(1) In these Regulations, unless the contrary intention appears:

axle spacing means the distance between the centre of an axle of an axle group of a vehicle or vehicle combination and the centre of any other axle of the axle group.

GCM or **gross combination mass**, in relation to a motor vehicle means the greatest possible sum of the maximum loaded mass of the motor vehicle and any vehicle or vehicles that may be towed by it at the same time:

- (a) as specified by the motor vehicle's manufacturer on an identification plate on the motor vehicle; or
- (b) if there is no such specification on an identification plate on the motor vehicle or there is such a specification on a plate on the motor vehicle but the specification is not appropriate because the motor vehicle has been modified – as certified by the registration authority.

hauling unit, in relation to a vehicle combination, means the rigid motor vehicle or prime mover towing the other vehicles of the vehicle combination.

inspection label, in relation to a vehicle, means a label, issued by the Registrar or an approved person, specifying the GVM or GCM of the vehicle (or other approved particulars in relation to the vehicle) and affixed to the vehicle in the approved manner.

manufacturer's gross axle load limit, in relation to an axle group, means the load recommended by the manufacturer of the axle group, by specification or otherwise, as being the maximum load at which that axle group should be operated.

manufacturer's maximum rim load, in relation to the rim of a wheel, means the load recommended by the manufacturer of that rim, by specification or otherwise, as the maximum load at which that rim should be operated.

manufacturer's maximum tyre load, in relation to a tyre, means the load recommended by the manufacturer of the tyre, by specification or otherwise, as the maximum load at which that tyre should be operated.

night means the period between sunset on one day and sunrise on the next day.

non-reactive load sharing suspension system, in relation to a vehicle, means a load sharing suspension system of an axle group of the vehicle in which there is no transfer of vertical loading from one axle of the axle group to another axle of that axle group when the vehicle's brakes are applied.

overall axle spacing means:

- (a) in relation to a rigid motor vehicle, articulated vehicle or component vehicle of a vehicle combination – the distance between the centre of the foremost axle and the centre of the rearmost axle of the rigid motor vehicle, articulated vehicle or component vehicle; and
- (b) in relation to axle groups which are adjacent to each other when any 2 component vehicles of a vehicle combination, including a rigid motor vehicle or an articulated vehicle, are coupled together – the distance between the centre of the foremost axle of the rearmost axle group of the leading vehicle and the centre of the rearmost axle of the foremost axle group of the trailing vehicle.

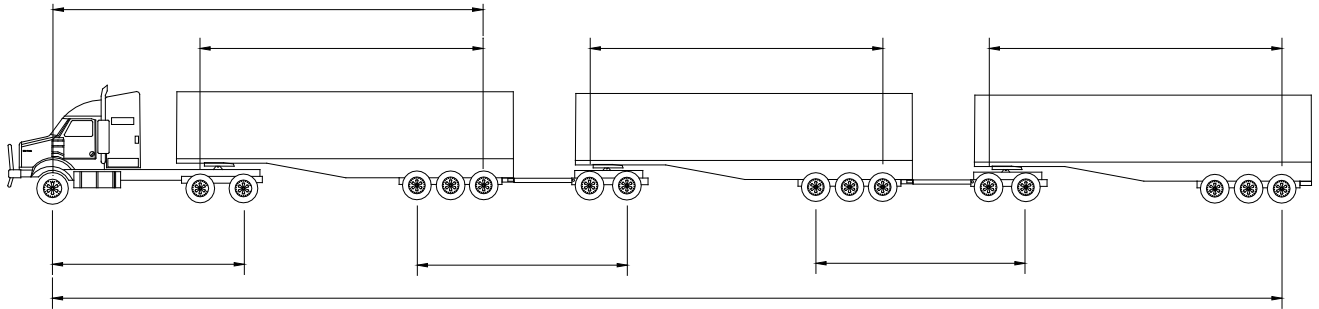


Diagram depicting **overall axle spacing**

pig trailer means a trailer with one axle group or single axle near the middle of its load-carrying surface, and connected to the towing vehicle by a drawbar.

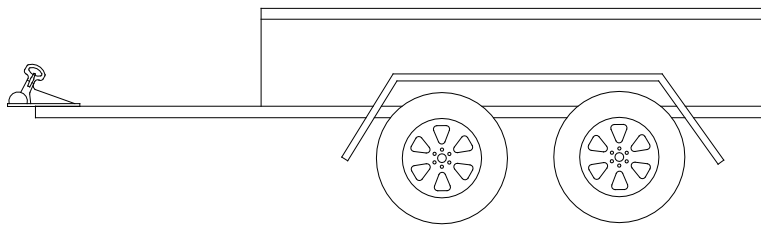


Diagram depicting a typical pig trailer

public place means any part (other than a road) of a park, reserve, parking area, recreational or sporting ground, racecourse, drive-in theatre, beach or any other open place, that is open to or used by the public, whether with or without payment for admission, but does not include the track within an enclosed ground used for vehicle or animal speed races or trials.

road friendly suspension means a suspension system approved by the Registrar or another registration authority, or certified as such by the manufacturer, in relation to which:

- (a) during free transient low frequency vertical oscillation of the sprung mass above an axle or axle group, the measured frequency and damping with the suspension carrying its maximum legal load fall within the following limits:
 - (i) the frequency of the sprung mass above the axle or axle group in free transient vertical oscillation is not higher than 2.0Hz;

- (ii) the mean damping ratio is more than 20% of the critical damping for the suspension in its normal operating condition;
 - (iii) where dampers have been fitted, the damping ratio of the suspension with all dampers removed or incapacitated is not more than 50% of the mean damping ratio;
 - (iv) in respect of a multiple axle group fitted to a vehicle, the static load share between axles in the axle group is less than 5%; and
- (b) each axle is fitted with dual tyres, except in respect of a 6-tyred tandem axle group in which case one axle in the axle group may have single tyres fitted.

single-pivot load sharing suspension system, in relation to a tandem axle group, means a load sharing suspension system of the tandem axle group, designed to allow the springing medium of the 2 axles of that tandem axle group to pivot about a common centre of rotation.

specification includes a compliance plate, vehicle data plate, catalogue, handbook or other written matter issued by or on behalf of a manufacturer in respect of a vehicle or a component of a vehicle, or plant, machinery or equipment, manufactured by the manufacturer.

steer axle means an axle or axle group connected to the steering mechanism of a motor vehicle and capable of being used by the driver to direct the course of that motor vehicle.

steerable axle means an axle or axle group fitted to a vehicle, but not connected to the steering mechanism of the vehicle, by means of which the course of that vehicle may be altered.

these Regulations include the *Australian Vehicle Standards Rules* contained in Schedule 6.

tyre section width means the nominal linear distance between the exteriors of the sidewalls of an inflated pneumatic tyre.

urban route means a route within a motor omnibus urban route service area declared by notice under section 47 of the *Commercial Passenger (Road) Transport Act*.

- (2) Unless the contrary intention appears, if a word or expression that is used in a regulation is defined for the purposes of the *Australian Vehicle Standards Rules*, the word or expression has the same meaning in the regulation as it has in the *Australian Vehicle Standards Rules*.
- (3) Unless the contrary intention appears, a reference in a regulation to a rule and a number is a reference to the rule of that number in the *Australian Vehicle Standards Rules*.
- (4) In these Regulations:
 - (a) the expression **mass carried on a tyre** or similar expression means the total mass transmitted to the road by the tyre, including the mass of the tyre; and
 - (b) the expression **mass carried on an axle** or **mass carried on an axle group** or similar expression (whether by reference to a single axle, a tandem axle group, a triaxle group, a twin-steer axle group, or one axle of an axle group), means the total mass transmitted to the road by the wheels attached to the axle or the axle group, including the mass of any wheels, tyres and other attachments or fittings attached or fitted to the axle or axles.

Part 2 Motor vehicles standards

Division 1 Mass limits of vehicles

5 Mass limit for wheel

The mass carried on a wheel is not to exceed the limit set by its manufacturer.

6 Mass limit for tyre

The mass carried on a tyre is not to exceed the greatest load capacity determined for the tyre by its manufacturer at a cold inflation pressure that does not exceed:

- (a) 825 kilopascals for a radial ply tyre; or
- (b) 700 kilopascals for any other tyre.

7 Mass limit for axle or axle group

The mass carried on an axle or an axle group is not to exceed:

- (a) the limit set by its manufacturer; or

- (b) the limit specified in Schedule 1 for the type of axle or axle group,

whichever is the lesser.

8 Road friendly suspension

If a vehicle or vehicle combination is fitted with a road friendly suspension, the limit of:

- (a) for a tandem axle group – 17 tonnes; and
- (b) for a triaxle group – 22.5 tonnes,

is substituted for the limit specified in Schedule 1 for that axle group.

9 Ultra low floor 2 axle route bus

If a bus is of a class known as an ultra low floor 2-axle route bus and is operating on an urban route, the limit of 11 tonnes is substituted for that specified in Schedule 1 in respect of a single axle fitted with dual wheels, provided that the GVM does not exceed 16 tonnes.

10 Bus with road friendly suspension

If a bus is constructed to comply with ADR 68, 59 and 44 and is fitted with road friendly suspension:

- (a) the limit of 6.5 tonnes for a steer axle may be substituted for the limit specified by Schedule 1; and
- (b) the limit specified in Schedule 1 for any other axle or axle group is increased by 1 tonne,

provided that, if the bus is fitted with a tandem axle group, the bus is permitted under a law of a State or another Territory of the Commonwealth to carry the maximum mass that would be permitted under this regulation.

11 Retractable axle

If an axle group includes a retractable axle, the retractable axle is to be ignored for the purposes of determining from Schedule 1 the mass limit that applies to the axle group unless the tyres of the retractable axle are on the ground and the load sharing suspension system is operating on each axle (including the retractable axle) and tyre in the group when:

- (a) if the axle group is a tandem axle group – the mass on the group exceeds 6 tonnes; and
- (b) if the axle group is a triaxle group – the mass on the group exceeds 11 tonnes.

Division 2 Limits to laden mass

12 Laden mass of vehicle or vehicle combination

- (1) The laden mass of a vehicle is not to exceed:
 - (a) the sum of the masses permitted by Division 1 to be carried by the tyres or axles (or axle groups) of the vehicle; or
 - (b) the GVM of the vehicle,whichever is the lesser.
- (2) The laden mass of an articulated vehicle or a vehicle combination is not to exceed:
 - (a) the sum of the masses permitted by Division 1 to be carried by the tyres or axles (or axle groups) of the vehicle; or
 - (b) the GCM of the vehicle or, if no GCM is certified by the manufacturer or the Registrar, the mass in kilograms determined by the use of the formula set out in Schedule 2,whichever is the lesser.

13 Laden mass of consecutive axle groups

The laden mass carried by any combination of 2 or more consecutive axle groups in a vehicle or vehicle combination is not to exceed:

- (a) the mass in tonnes calculated in accordance with the formula $(3L + 12.5)$ where "L" is the distance in metres of the overall axle spacing of those axle groups; or
- (b) if the vehicle combination is a B-double, the mass specified in Schedule 3.

14 Laden mass of trailer

- (1) If a vehicle combination (not being a road train) is comprised of a rigid motor vehicle towing a trailer, the laden mass of the trailer is not to exceed the laden mass of the rigid motor vehicle unless approved by the Registrar.

- (2) If a motor vehicle with a GVM not exceeding 4.5 tonnes is towing a trailer, the laden mass of the trailer is not to exceed:
- (a) the towing capacity of the motor vehicle; or
 - (b) the towing capacity of the towing apparatus fitted to the vehicle,

whichever is the lesser.

- (3) In this regulation:

towing capacity of the motor vehicle means:

- (a) the towing capacity of the motor vehicle, including any operational restrictions, specified by the manufacturer; or
- (b) if a towing capacity is not specified or is not able to be identified:
 - (i) if the trailer is fitted with brakes, 1.5 times the unladen mass of the motor vehicle; and
 - (ii) if the trailer is not fitted with brakes, the unladen mass of the motor vehicle.

towing capacity of the towing apparatus means the towing capacity of the towing apparatus specified by its manufacturer.

Division 3 Certain special vehicles

15 Vehicle fitted with non-rubber tyres or solid rubber tyres

- (1) If a vehicle has any wheel that is not fitted with either a pneumatic tyre or a solid rubber tyre of 30 mm or more in thickness, the vehicle is to comply with the following requirements:
- (a) the laden mass of the vehicle is not to exceed 3 tonnes;
 - (b) the mass carried on an axle of the vehicle is not to exceed 1.4 tonnes;
 - (c) the mass carried on a wheel that is not fitted with either a pneumatic tyre or a solid rubber tyre 30 mm or more in thickness is not to exceed the maximum mass specified in Schedule 4 for a wheel of that diameter and width of contact with the ground;
 - (d) the vehicle is not to be driven at a speed exceeding 15 kilometres per hour.

- (2) For the purposes of Schedule 4, the mass per millimetre of width of a tyre (or wheel without a tyre) is determined by dividing the number of kilograms comprised in the wheel load on the wheel by the number of millimetres comprised in the width of tyre fitted to the wheel (or wheel, if no tyre is fitted) in contact with the ground when the vehicle is standing on level ground.
- (3) For the purposes of subregulation (1), a group of co-axial wheels on one side of the centre-line of a vehicle are taken to be one wheel.

16 Vehicle fitted with all or some rubber tyres

- (1) If a vehicle has solid rubber tyres 30 mm or more in thickness fitted to all wheels, or a mixture of such solid rubber tyres fitted to one or more wheels and pneumatic tyres fitted to all other wheels, the vehicle is to comply with the following requirements:
 - (a) the laden mass of the vehicle is not to exceed 4 tonnes;
 - (b) the mass carried on an axle of the vehicle is not to exceed 1.8 tonnes;
 - (c) the mass carried on a wheel that is not fitted with a pneumatic tyre is not to exceed:
 - (i) the maximum mass specified in Schedule 4 for a wheel of that diameter and width of contact of tyre with the ground; or
 - (ii) the maximum mass specified in Schedule 5 for the thickness of the tyre (measured at its thinnest point),whichever is the lesser;
 - (d) the vehicle is not to be driven at a speed exceeding 25 kilometres per hour.
- (2) For the purposes of Schedules 4 and 5, the mass per millimetre of width of a tyre is determined by dividing the number of kilograms comprised in the wheel load on the wheel by the number of millimetres comprised in the width of tyre fitted to the wheel in contact with the ground when the vehicle is standing on level ground.
- (3) For the purposes of subregulation (1), a group of co-axial wheels on one side of the centre-line of a vehicle are taken to be one wheel.

17 Tyres filled with water

A tyre that would otherwise be a pneumatic tyre but that is filled or partly filled with water, whether with or without a chemical additive, is to be regarded for the purposes of this Division as a solid rubber tyre.

Division 4 Axle group spacing for B-Double

18 Axle group spacing requirements for B-Double

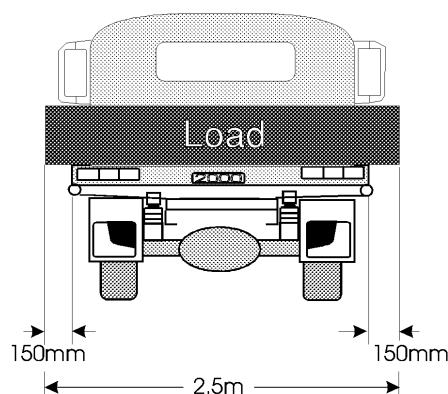
- (1) The spacing between consecutive axle groups of a B-Double, other than a B-Double with 2 triaxle groups, is to comply with the following requirements:
 - (a) the distance between the centres of 2 tandem axle groups is not to be less than 6 metres;
 - (b) the distance between the centres of a tandem axle group and a triaxle group is not to be less than 7 metres.
- (2) The spacing between consecutive axle groups of a B-Double with 2 triaxle groups is to comply with the clear space rule.
- (3) In subregulation (2):

clear space rule means that $x - y \leq 1$ and $y - x \leq 1.3$, where x is the distance in metres between the centres of the closest axles in the second and third axle groups and y is the distance in metres between the centres in the closest axles of the third and fourth axle groups.

Division 5 Size and projection of load

19 Front and side projections

A load on a vehicle is not to project more than 1.2 metres in front of the vehicle or more than 150 mm from the outermost part of either side of it.



Maximum side projection of load allowed under regulation 19.

Note: The combined dimensions of a vehicle and its load must still meet the requirements of the Australian Vehicle Standards Rules in Schedule 6 even if the load projects from the vehicle in any direction.

20 Rear projections

- (1) The rear of a load on a vehicle is to carry a warning signal if the load:
 - (a) projects more than 1.2 metres behind the vehicle;
 - (b) projects to the rear of the vehicle so that the end of the load cannot be seen easily from behind; or
 - (c) is on a pole-type trailer.
- (2) In daylight, the warning signal referred to in subregulation (1) is to be a brightly coloured flag or piece of material, with each side at least 300 mm long.
- (3) At night, the warning signal referred to in subregulation (1) is to be a red light that can be seen for 200 metres.

21 Dangerous projections

A load on a vehicle is not to project in a way that is dangerous to a person or to property, even if all dimension and warning requirements are met.

22 Projection of load on motor cycle

- (1) The load or equipment of a motor cycle is not to project:
 - (a) beyond the extreme outer edge of the motor cycle;
 - (b) more than 150 mm to the front of the outer extremity of the front wheel of the motor cycle; and
 - (c) more than 300 mm to the rear of the outer extremity of the rear wheel of the motor cycle.
- (2) The load or equipment of a motor cycle with a sidecar is not to project:
 - (a) beyond the extreme outer edge of the motor cycle and sidecar;
 - (b) more than 600 mm to the front of the outer extremity of the front wheel of the motor cycle; and
 - (c) more than 900 mm to the rear of the outer extremity of the rear wheel of the motor cycle.

23 Size limits

- (1) Subject to regulation 33, a vehicle or a combination, and its load, is not to exceed a size limit set for the vehicle or combination in the *Australian Vehicle Standards Rules*.
- (2) The distance measured at right angles between the rear overhang line of a vehicle and the rear of any load it is carrying is not to exceed the rear overhang that the vehicle is allowed under the *Australian Vehicle Standards Rules*.

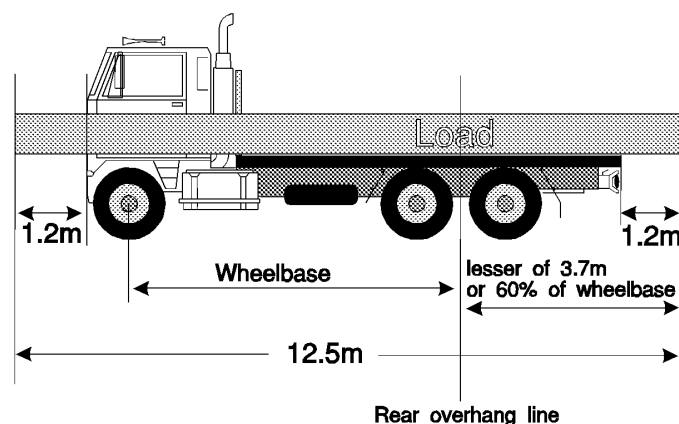


Illustration of:

- front projection limit; and
- rear overhang limit from *Australian Vehicle Standards Rules*; and

- maximum rear projection of load allowed without a warning signal.

Division 6 Requirements for converter dollies

24 Converter dollies used in road trains

A converter dolly is not to be used in a road train unless the converter dolly is so constructed that the torque reaction generated in the converter dolly from braking forces is:

- (a) transmitted through the converter dolly's fifth wheel assembly into the vehicle towing the converter dolly, in which case:
 - (i) the drawbar of that converter dolly is to be attached to the chassis of the converter dolly through a flexible coupling that allows the drawbar to pivot vertically about a transverse horizontal axis; and
 - (ii) if the converter dolly has other than a single axle group – the axle group is to have an approved non-reactive load sharing suspension system;
- (b) transmitted, through a tow coupling designed for the purpose, into the vehicle towing the converter dolly, in which case:
 - (i) the drawbar and chassis of the converter dolly are to be an integral unit and the converter dolly's fifth wheel assembly is to be able to pivot about a horizontal axis; and
 - (ii) if the converter dolly has other than a single axle group – the axle group is to have an approved single-pivot load-sharing suspension system; or
- (c) if the converter dolly has an approved suspension system fitted to the axle group – carried through that suspension system, in which case the drawbar of the converter dolly is to be attached to the chassis of the dolly converter through a flexible coupling that allows the drawbar to pivot vertically about a transverse horizontal axis.

Division 7 Identification of road trains

25 Identification of hauling unit of road train

- (1) A hauling unit used in a road train is to have displayed on it the following particulars:
 - (a) the gross vehicle mass of the hauling unit;

- (b) the gross combination mass of the hauling unit.
- (2) The particulars may be displayed by means of a compliance plate, registration certificate, inspection label or a document approved by the Registrar.
- (3) A hauling unit used in a road train is to have an inspection label (or other document approved by the Registrar for the purposes of this regulation) that is in force.

26 Identification of trailers used in road train

- (1) A trailer used in a road train is to have displayed on it the following particulars:
 - (a) the name or trademark of the manufacturer of the trailer;
 - (b) a distinguishing serial number of the trailer.
- (2) The particulars may be displayed by means of a compliance plate, registration certificate, inspection label or a document approved by the Registrar.
- (3) A trailer used in a road train is to have an inspection label (or other document approved by the Registrar for the purposes of this regulation) that is in force.

Part 3 Australian Vehicle Standard Rules

Division 1 Australian Vehicle Standards Rules

27 Australian Vehicle Standards Rules are law of the Territory

- (1) The *Australian Vehicle Standards Rules* contained in Schedule 6 are made as regulations under the Act and are a law of the Territory.
- (2) A reference in an Act or instrument of a legislative or administrative character to the *Australian Vehicle Standards Rules* is a reference to the *Australian Vehicle Standards Rules* contained in Schedule 6.

Division 2 Exemptions from certain rules

28 Exemption from right-hand drive requirement

The requirement under rule 27(2) that certain vehicles are to have a right-hand drive does not apply to a motor vehicle that is:

- (a) an imported vehicle that is 15 or more years old; or

- (b) a vehicle imported under regulation 9D of the Motor Vehicle Standards Regulations 1989 of the Commonwealth.

29 Exemption from spray suppression requirement for B-double

The requirement under rule 33(1)(b) that certain spray suppression devices be fitted for each axle group and single axle on a vehicle that is a B-Double does not apply in the Territory.

30 Exemption from pneumatic tyre requirement for certain vehicles

The requirement under rule 47 that a vehicle built after 1932 must be fitted with pneumatic tyres does not apply to a vehicle that complies with Part 2, Division 3.

31 Exemption from ABS brakes for road trains

- (1) The requirement under rule 136(1) that a prime mover used in a B-Double must be fitted with an anti-lock braking system does not apply in the Territory if the prime mover is identified as a road train hauling unit in accordance with regulation 25.
- (2) The requirement under rule 138(3) that a trailer used in a B-Double must, in certain circumstances, be fitted with an anti-lock braking system does not apply in the Territory if the trailer is identified as a road train trailer in accordance with regulation 26.

32 Exemption from speed-limiting requirement for road train

The speed limiting requirement under rule 155(3) does not apply to a motor vehicle used as a hauling unit in a road train providing that:

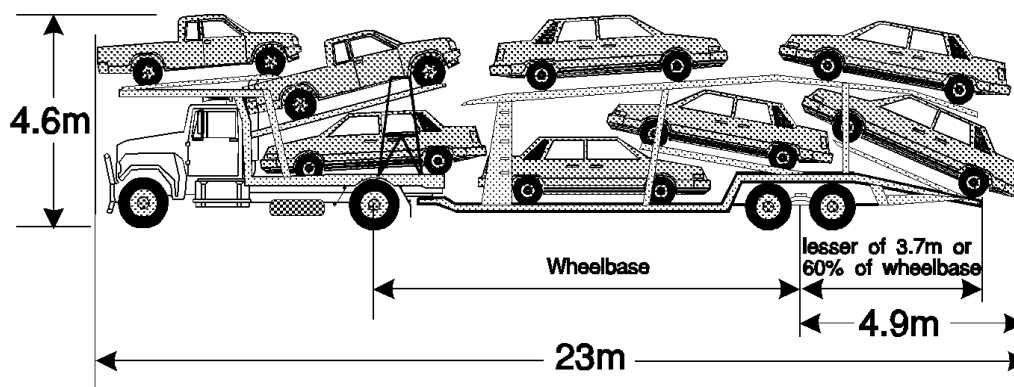
- (a) the hauling unit of the road train has been certified to Australian Design Rule 65/00;
- (b) the hauling unit of the road train is fitted with an electronically programmable speed limiter; and
- (c) the speed limiter is set to limit the road speed of the hauling unit to not more than 100 kilometres per hour.

33 Exemption in relation to vehicle carriers

Despite regulation 23:

- (a) the height of a vehicle that is carrying vehicles on more than one deck, and its load, is not to exceed 4.6 metres; and

- (b) the distance measured at right angles between the rear overhang line of a trailer carrying vehicles on more than one deck and the rear of the rearmost vehicle on the trailer is not to exceed 4.9 metres.

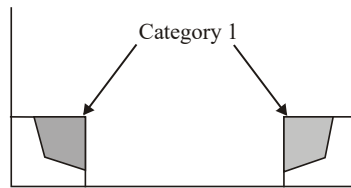


Maximum allowable dimensions of a loaded car carrier

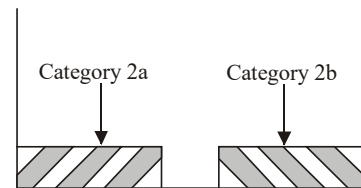
Division 3 Additional requirements in relation to certain rules

34 Rear marking plates

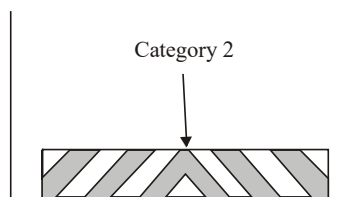
- (1) Rear marking plates required by rule 119 are to:
- (a) comply with the requirements of AS 4001.1 – 1992 "Motor Vehicle – Rear Marker Plates" arranged according to AS 4001.2 – 1992 "Motor Vehicle – Rear Marker Plates – Installation and Arrangement Requirements"; or
 - (b) be mounted at the rear of the vehicle and arranged as follows and as depicted in the diagram:
 - (i) arrangement A – 2 Category 1 plates;
 - (ii) arrangement B – a single Category 2 plate;
 - (iii) arrangement C – one Category 2a plate and one Category 2b plate, arranged horizontally;
 - (iv) arrangement D – one Category 2a plate and one Category 2b plate, arranged vertically.



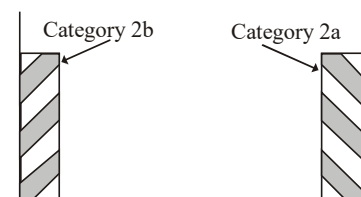
Arrangement A



Arrangement C



Arrangement B



Arrangement D

- (2) Arrangement A is the preferred arrangement, but where that arrangement is not possible, an alternative arrangement listed in subsection (1)(b) may be utilised.
- (3) The plates are to be orientated rearwards and mounted:
 - (a) at the same height and with the lower edge not less than 400 mm and not more than 1 500mm from the ground;
 - (b) so that the outer edge of a plate:
 - (i) does not protrude beyond the nearest outer face of the vehicle; and
 - (ii) is within 150 mm (if practicable, but in any case within 500 mm) of the nearest outer face of the vehicle.
 - (c) so that the lower edge of a plate is horizontal to the ground;
 - (d) as near as practicable to and in any case within 20 degrees (horizontally and vertically) of being in a vertical plane representing the back of the vehicle; and
 - (e) so that the plates are visible from a position within 30 degrees either side, and within 15 degrees up and down, of square from the face of a plate.
- (4) The total plate area is to be not less than 0.32 square metres.

- (5) No lamps are to be placed inside the boundaries of a marker plate, but the warning sign "DO NOT OVERTAKE TURNING VEHICLE" may be printed in black lettering 50 mm high on the yellow portion of one of the Category 1 plates.
- (6) If the nature of the vehicle requires it:
 - (a) the plates may be attached to fabricated supports that can be removed or swung aside for loading or unloading;
 - (b) the plates may be attached to the underside of tip-up loading ramps so that they are visible when the ramp is in position for the vehicle to be driven; and
 - (c) the plates may be cut so that a plate can be mounted across the edges of movable or opening panels (the sections can be moved apart by not more than 25 mm or a strip of material not wider than 10 mm per side may be removed adjacent to the cut to enable the panels to separate).
- (7) The Registrar may approve an installation that does not fully comply with this regulation.

Part 4 Offences

35 Compliance with Regulations

Subject to section 59 of the Act, a person must not drive, or cause or permit to be driven, on a road or in a public place a vehicle that does not comply with a requirement of these Regulations applicable to it.

Penalty: If the offender is an individual – 20 penalty units.

 If the offender is a corporation – 100 penalty units.

36 Regulatory offences

An offence that relates to the contravention of, or failure to comply with, a requirement of these Regulations is a regulatory offence.

37 Defence if excess loading within certain limits

If a person is prosecuted for an offence against regulation 35 where the substance of the breach is that a load limit set out in Part 2, Division 1, 2 or 3 was exceeded, it is a defence if the person charged with the offence proves that the person made, or caused to be made, all reasonable efforts to comply with the relevant regulation and that:

-
- (a) the load the subject of the charge did not cause the manufacturer's recommendations, by specification or otherwise, of the safe working load for any component to be exceeded;
 - (b) the load limit set out in the relevant regulation was not exceeded:
 - (i) for a single steer axle – by more than .25 tonnes;
 - (ii) for a single axle other than a single steer axle – by more than .5 tonnes; or
 - (iii) for any other axle group – by more than one tonne; and
 - (c) the GVM or GCM was not exceeded by more than 10%.

Part 5 Miscellaneous

38 Certificate in relation to manufacturer's gross axle load limit etc.

- (1) For the purposes of a prosecution for an offence against these Regulations, the particulars stated in a certificate issued by the Registrar as to:
 - (a) the manufacturer's gross axle load limit of an axle group;
 - (b) the GCM of a vehicle combination;
 - (c) the GVM of a vehicle;
 - (d) the manufacturer's maximum rim load of a rim of a tyre; or
 - (e) the manufacturer's maximum tyre load of a tyre,are taken to be that limit, mass or load, as the case may be, unless the contrary is proven.
- (2) The particulars included in a certificate under subregulation (1) may be derived from the records of the Registrar or from records kept by a registrar (however described) of vehicles in a State or another Territory of the Commonwealth.
- (3) No proof as to the signature of the Registrar is required in relation to a certificate under subregulation (1).

39 Repeal

The following Regulations are repealed:

- (a) *Motor Vehicles (Standards) Regulations* (Regulations No. 74, 1982);
- (b) *Amendments of Motor Vehicles (Standards) Regulations* (Regulations No. 31, 1988).

40 Repealed Regulations continue to apply

Despite regulation 39, the *Motor Vehicles (Standards) Regulations* as in force immediately before the commencement of these Regulations continue to apply in relation to an offence that was committed before the commencement of these Regulations.

Schedule 1

regulation 7

Description of axle or axle group	Mass Limit (tonnes)
Single axles and single axle groups	
Single steer axle on a motor vehicle	6.0
Single axle or single axle group fitted with single tyres with section width of:	
(a) less than 375 mm	6.0
(b) at least 375 mm but less than 450 mm	6.7
(c) at least 450 mm	7.0
Single axle or single axle group fitted with dual tyres on:	
(a) a pig trailer	8.5
(b) a bus licensed to carry standing passengers	10.0
(c) any other vehicle	9.0
Twinsteer axle groups	
Twinsteer axle group without a load-sharing suspension system	10.0
Twinsteer axle group with a load-sharing suspension system	11.0
Tandem axle groups	
Tandem axle group fitted with single tyres with section width of:	
(a) less than 375 mm	11.0
(b) at least 375 mm but less than 450 mm	13.3
(c) at least 450 mm	14.0
Tandem axle group fitted with single tyres on one axle and dual tyres on the other axle	13.0

Tandem axle group fitted with dual tyres on:

- | | | |
|-----|-------------------|------|
| (a) | a pig trailer | 15.0 |
| (b) | any other vehicle | 16.5 |

Tri-axle groups

Tri-axle group on a vehicle fitted with single tyres with section width of less than 375 mm on all axles, or single tyres on one or 2 axles and dual tyres on the other axle or axles 15.0

Tri-axle group on a pig trailer with either single tyres with section width of at least 375 mm, dual tyres on all axles, or a combination of those tyres 18.0

Tri-axle group, on a vehicle other than a pig trailer, with either single tyres with section width of at least 375 mm, dual tyres, or a combination of those tyres 20.0

Quad axle groups

Quad-axle group fitted with single tyres with section width of less than 375 mm 15.0

Quad-axle group fitted with single tyres with section width of at least 375 mm or dual tyres 20.0

Other axle groups

Any other axle group not specifically referred to in this Schedule 20.0

Schedule 2

regulation 12

Mass in kilograms = $\frac{K \times M \times R \times T}{16}$

16

if:

K = drive efficiency constant for the type of drive axle fitted to the vehicle, being:

for a single drive axle – 0.055

for a single drive tandem axle group – 0.053

for a dual drive tandem axle group – 0.051;

M = number of tyre revolutions per kilometre as specified by the tyre manufacturer for the tyres fitted to the driving axle or axles;

R = overall gear reduction between engine and drive wheels;

T = maximum engine net torque in Newton metres.

Schedule 3

regulation 13

Distance between extreme of axle groups under consideration (metres)		Maximum permitted laden mass on axle groups (tonnes)	Distance between extreme axles of axle groups under consideration (metres)		Maximum permitted laden mass on axle groups (tonnes)
Equal to or greater than	Less than		Equal to or greater than	Less than	
3.5	3.7	23.0	10.0	10.2	42.5
3.7	3.8	23.5	10.2	10.3	43.0
3.8	4.0	24.0	10.3	10.5	43.5
4.0	4.2	24.5	10.5	10.7	44.0
4.2	4.3	25.0	10.7	10.8	44.5
4.3	4.5	25.5	10.8	11.0	45.0
4.5	4.7	26.0	11.0	11.2	45.5
4.7	4.8	26.5	11.2	11.3	46.0
4.8	5.0	27.0	11.3	11.7	46.5
5.0	5.2	27.5	11.7	12.0	47.0
5.2	5.3	28.0	12.0	12.3	47.5
5.3	5.5	28.5	12.3	12.7	48.0
5.5	5.7	29.0	12.7	13.0	48.5
5.7	5.8	29.5	13.0	13.3	49.0
5.8	6.0	30.0	13.3	13.7	49.5
6.0	6.2	30.5	13.7	14.0	50.0
6.2	6.3	31.0	14.0	14.3	50.5
6.3	6.5	31.5	14.3	14.7	51.0
6.5	6.7	32.0	14.7	15.0	51.5
6.7	6.8	32.5	15.0	15.3	52.0
6.8	7.0	33.0	15.3	15.7	52.5
7.0	7.2	33.5	15.7	16.0	53.0
7.2	7.3	34.0	16.0	16.3	53.5
7.3	7.5	34.5	16.3	16.7	54.0
7.5	7.7	35.0	16.7	17.0	54.5
7.7	7.8	35.5	17.0	17.3	55.0
7.8	8.0	36.0	17.3	17.7	55.5
8.0	8.2	36.5	17.7	18.0	56.0
8.2	8.3	37.0	18.0	18.3	56.5
8.3	8.5	37.5	18.3	18.7	57.0
8.5	8.7	38.0	18.7	19.0	57.5
8.7	8.8	38.5	19.0	19.3	58.0
8.8	9.0	39.0	19.3	19.7	58.5
9.0	9.2	39.5	19.7	20.0	59.0
9.2	9.3	40.0	20.0	20.3	59.5
9.3	9.5	40.5	20.3	20.7	60.0
9.5	9.7	41.0	20.7	21.0	60.5
9.7	9.8	41.5	21.0	–	62.5
9.8	10.0	42.0			

Schedule 4

regulations 15 and 16

Diameter of wheel in metres	Maximum mass in kilograms for each 25 millimetres width of tyre in contact with the ground	
	For other than pneumatic tyres and solid rubber tyres 30 mm thick	For solid rubber tyres not less than 30 mm thick
Less than 0.3 of a metre	136	227
Not less than 0.3 of a metre and less than 0.6 of a metre	181	272
Not less than 0.6 of a metre and less than 0.9 of a metre	227	318
Not less than 0.9 of a metre and less than 1.2 metres	272	363
Not less than 1.2 metres and less than 1.5 metres	318	363
1.5 metres or more	363	363

Schedule 5

regulation 16

Thickness of tyre in millimetres	Maximum mass in kilograms per 25 millimetres width of tyre in contact with the ground
Not less than 30 millimetres and less than 40 millimetres	272
Not less than 40 millimetres and less than 45 millimetres	295
Not less than 45 millimetres and less than 50 millimetres	318
Not less than 50 millimetres and less than 55 millimetres	340
55 millimetres or more	363

Schedule 6

regulation 27

AUSTRALIAN VEHICLE STANDARDS RULES

FOR THE AVSR's – PLEASE SEE SEPARATE DOCUMENT
REGM020R7AVSR(NT)

ENDNOTES

1 KEY

Key to abbreviations

amd = amended
app = appendix
bl = by-law
ch = Chapter
cl = clause
div = Division
exp = expires/expired
f = forms
Gaz = Gazette
hdg = heading
ins = inserted
lt = long title
nc = not commenced

od = order
om = omitted
pt = Part
r = regulation/rule
rem = remainder
renum = renumbered
rep = repealed
s = section
sch = Schedule
sdiv = Subdivision
SL = Subordinate Legislation
sub = substituted

2 LIST OF LEGISLATION

Motor Vehicles (Standards) Regulations (SL No. 17, 2003)

Notified	30 April 2003
Commenced	1 May 2003 (<i>Gaz S7</i> , 30 April 2003)